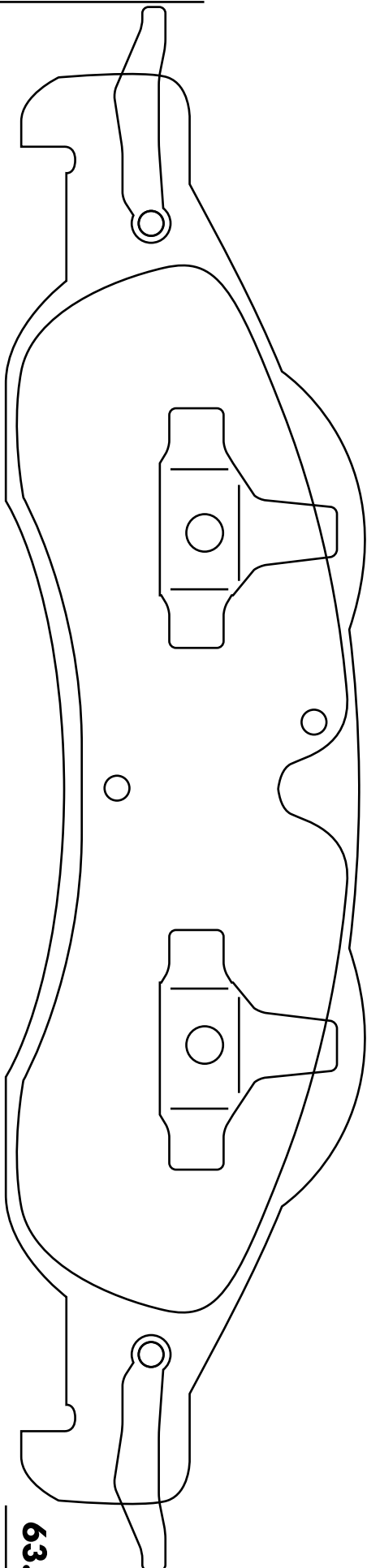


Nb. **IF8105**

Nb. _____

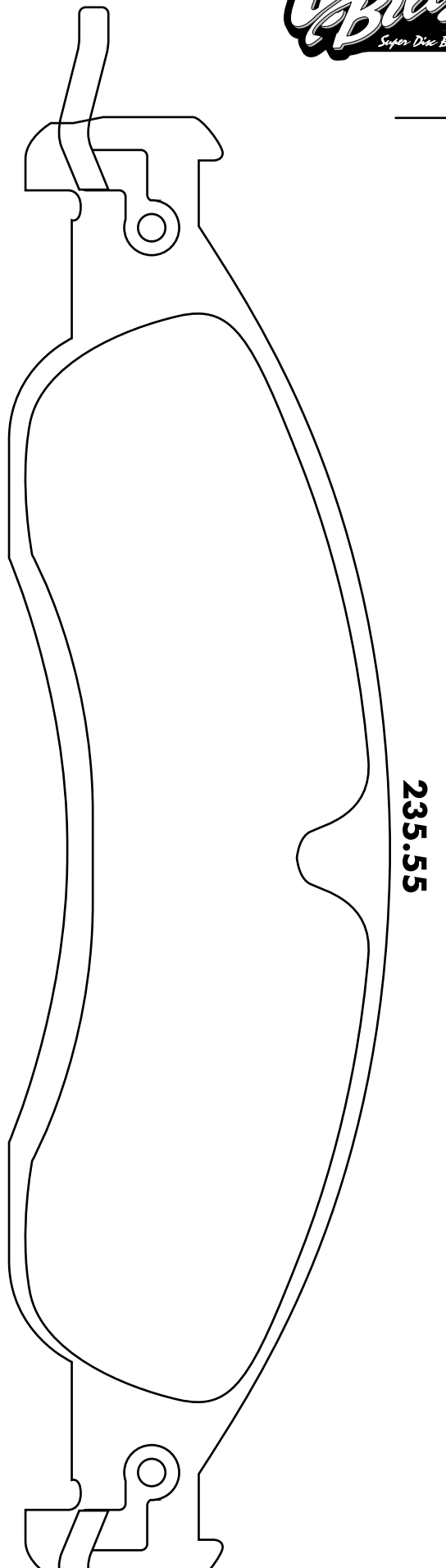
FORD



63.70



234.20



62.67



235.55